

Elam Trellis



TYKS Hospital, Turku Finland



HUS hospital, Helsinki Finland



KYS University hospital, Kuopio Finland



The laths can be veneered over rounded edges without visible joint.

ElamTrellis is of massive wood, veneered chip board or veneered cement bonded particleboard made trellis element for wall or ceiling constructions.

All commercial wood species are available. Surface treatment alternatives: lacquer, stained lacquer, paint, oil-vax. Fire retardant chemical impregnation as well.

Black or white acoustic fabric can be used behind the Trellis, if necessary.

Fixing with screws to wall, or freely on T-profiles of suspended ceiling.

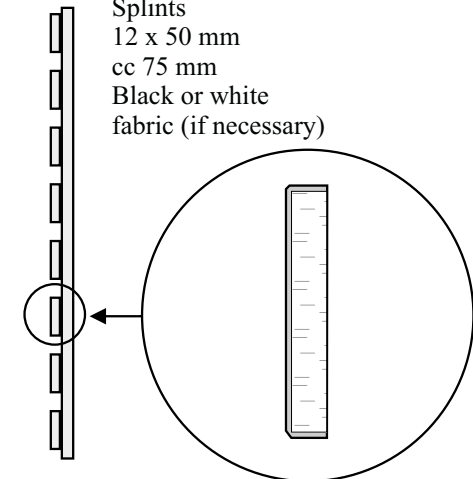
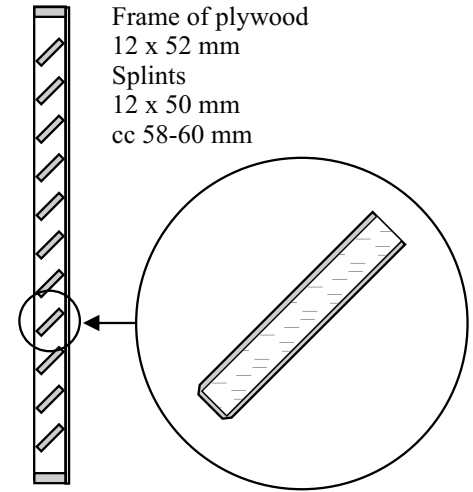
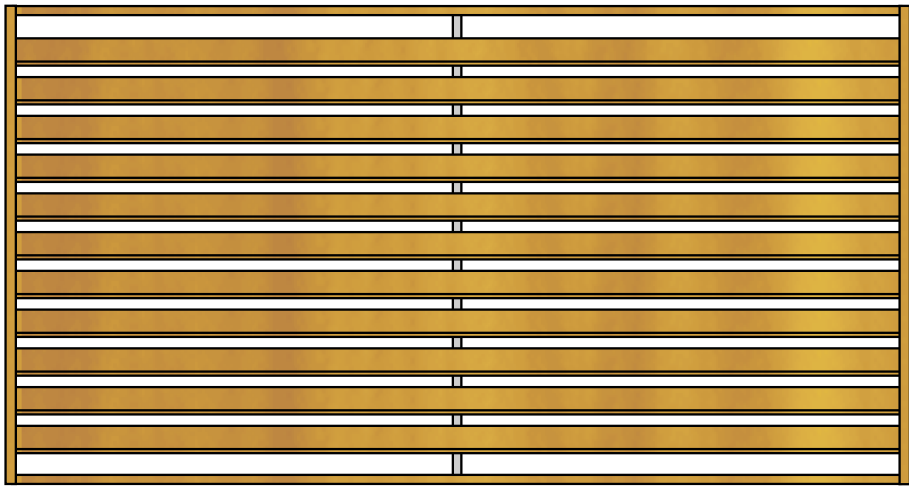
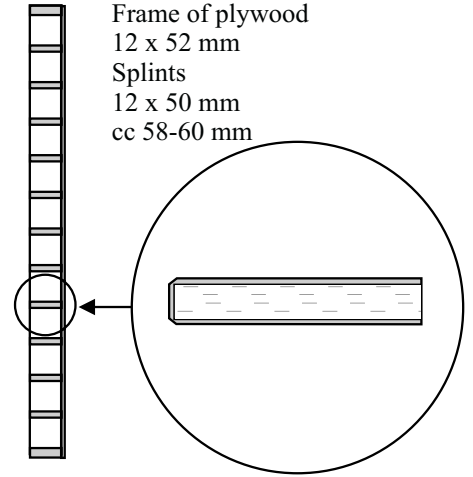
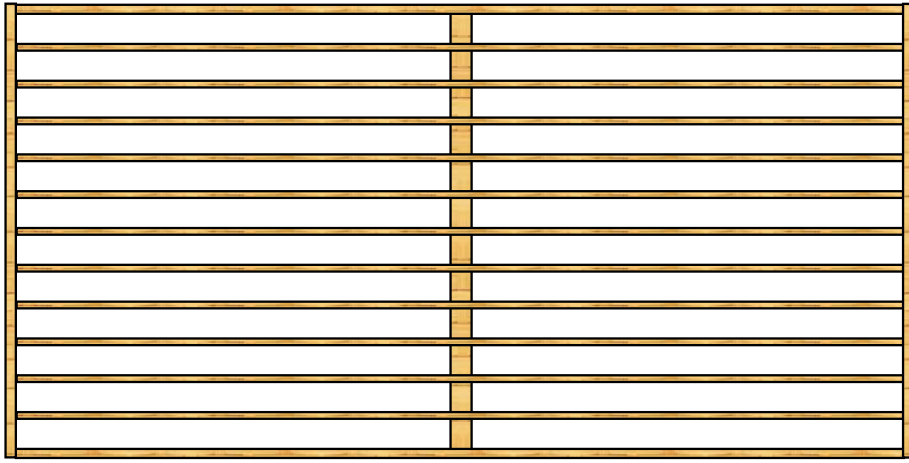
Basic dimension: 1200 x 600 mm
 Other possible for example:
 Breadth: 300/600/900/1200/1500/1800/2400
 Height: 300/400/600/900/1200

The size and share of ribbons can be chosen by client.

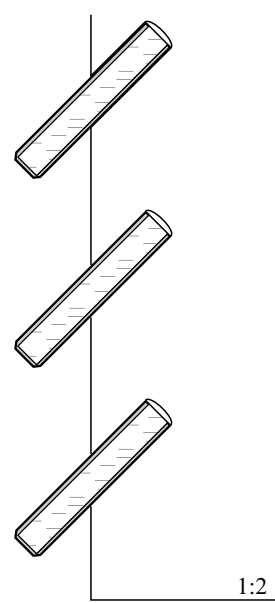
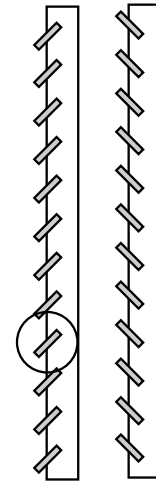
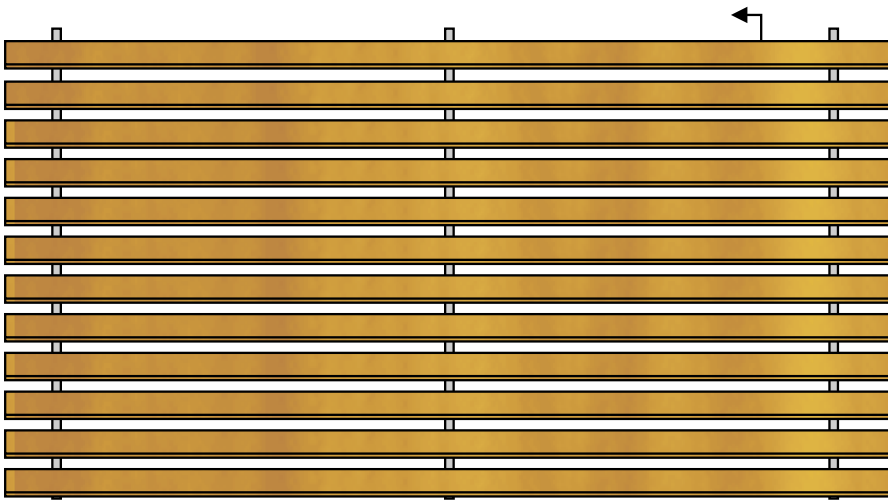
Elam Oy

Vanha Porvoontie 36
FIN-04600 MÄNTSÄLÄ
Phone: +358 (0)19 687 1103
Fax: +358 (0)19 6871115
E-mail: elam@elam.fi
www.elam.fi

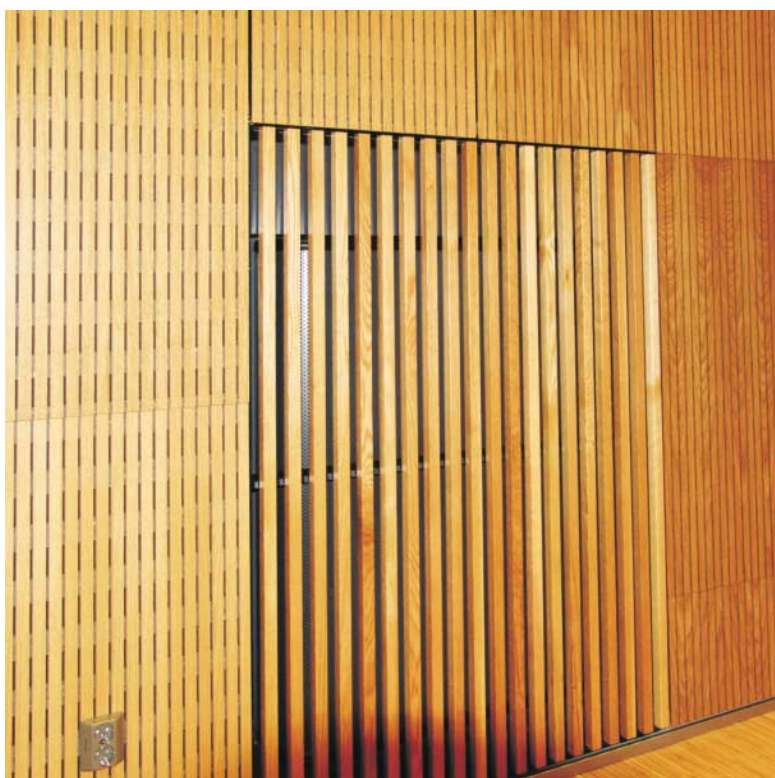
Examples (basic size 1200 x 600 mm):



Oblique splint 45°



12 x 50mm black painted support slath of plywood.



The laths can be fixed to aluminium frame (15 x 50 mm) as well, if wooden construction is not allowed for fire technical reasons.